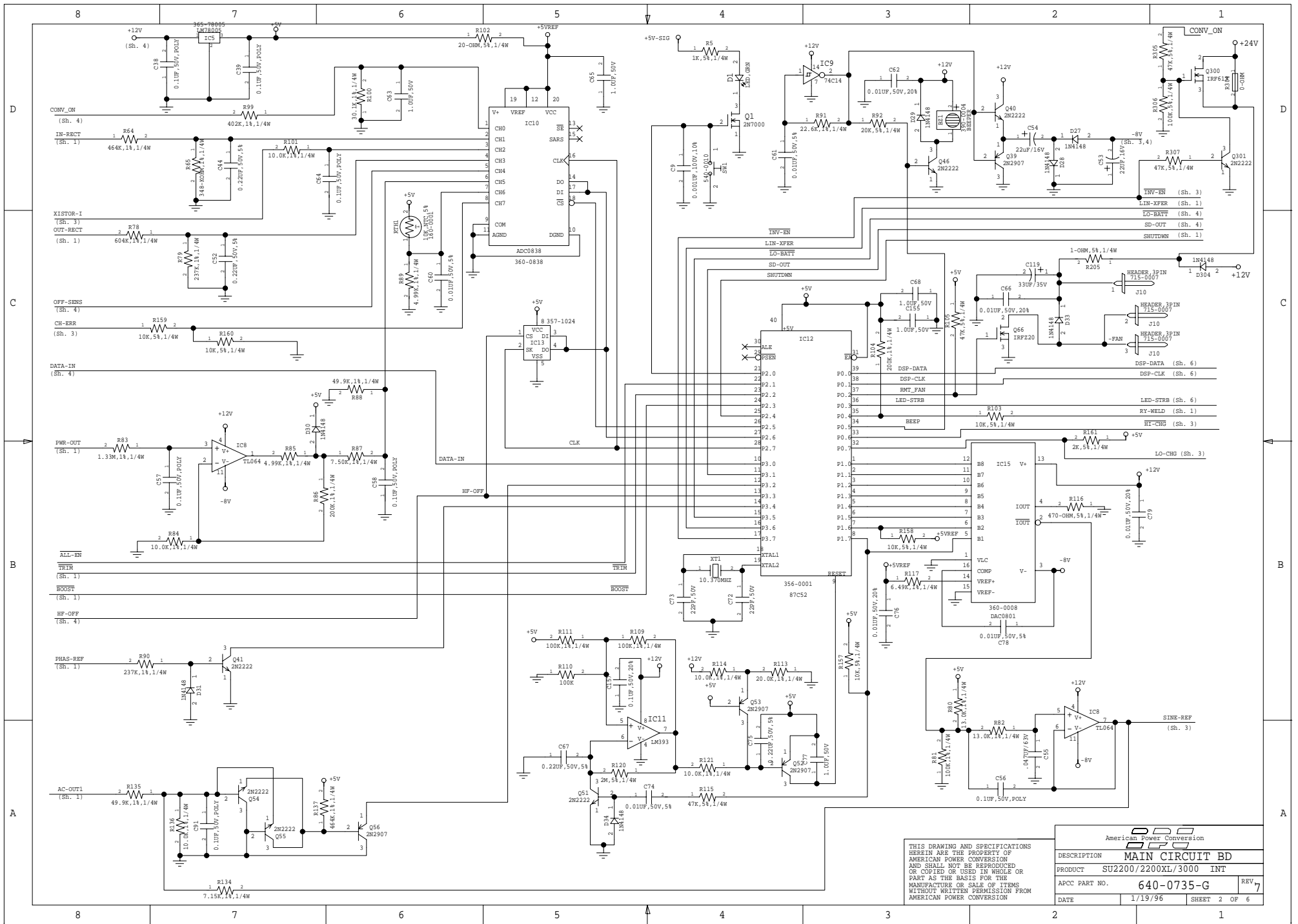
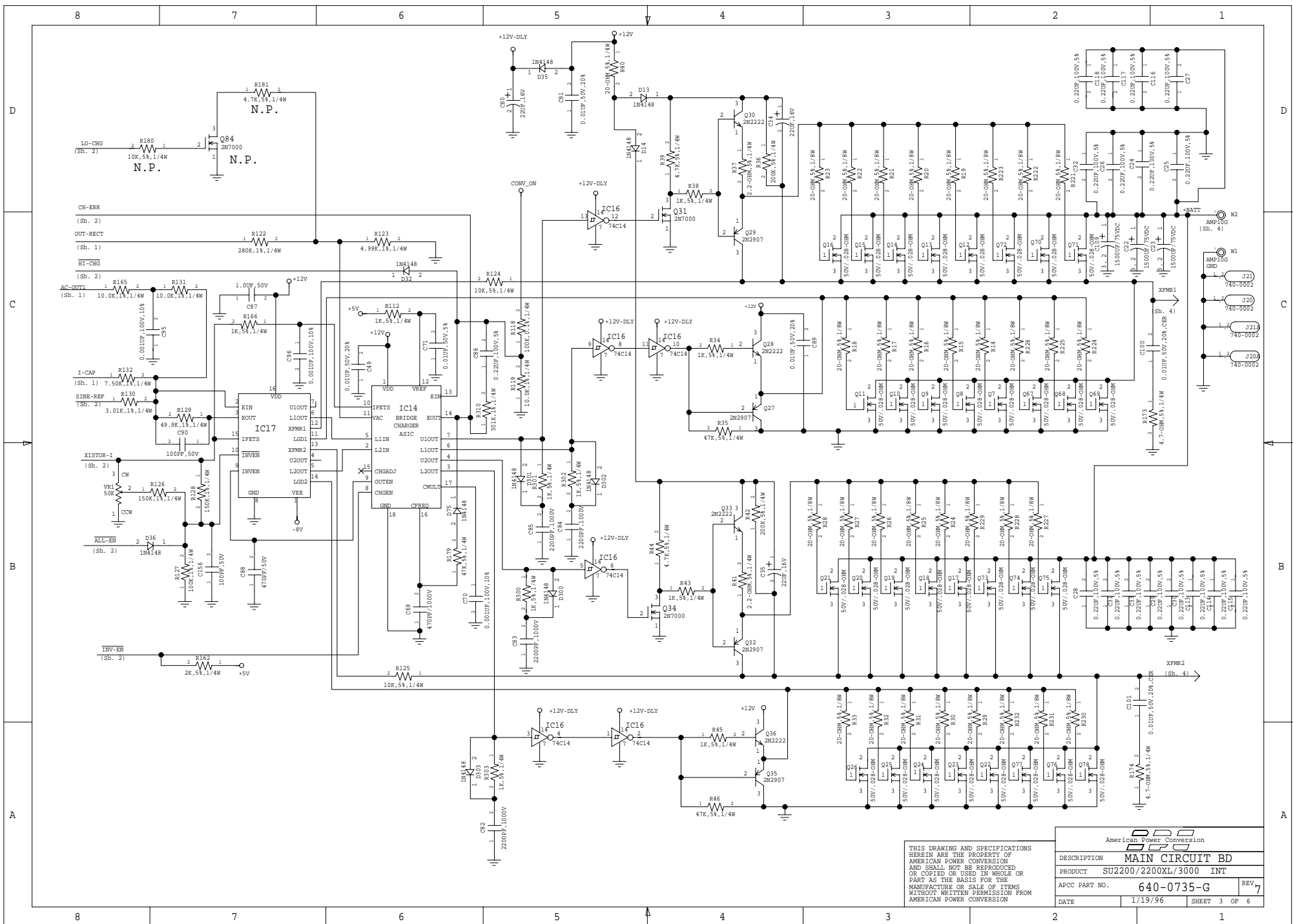


THIS DRAWING AND SPECIFICATIONS HEREIN ARE THE PROPERTY OF AMERICAN POWER CONVERSION AND SHALL NOT BE REPRODUCED OR COPIED OR USED IN WHOLE OR PART AS THE BASIS FOR THE MANUFACTURE OR SALE OF ITEMS WITHOUT WRITTEN PERMISSION FROM AMERICAN POWER CONVERSION

SCH. REV.	PCB REV.	ECO#	PAGE (ZONE)	DESCRIPTION	DATE	APPRVL
				REVISION STATUS		
	JML		1/21/94	American Power Conversion		
	JOHN, RON AND MIKE		21/94	DESCRIPTION		
				MAIN CIRCUIT BD		
				PRODUCT	SU2000/2200XL/3000 INT	
				APCC PART NO.	640-0735-G	REV. 7
				DATE:	1/19/96	SHEET 1 OF 6

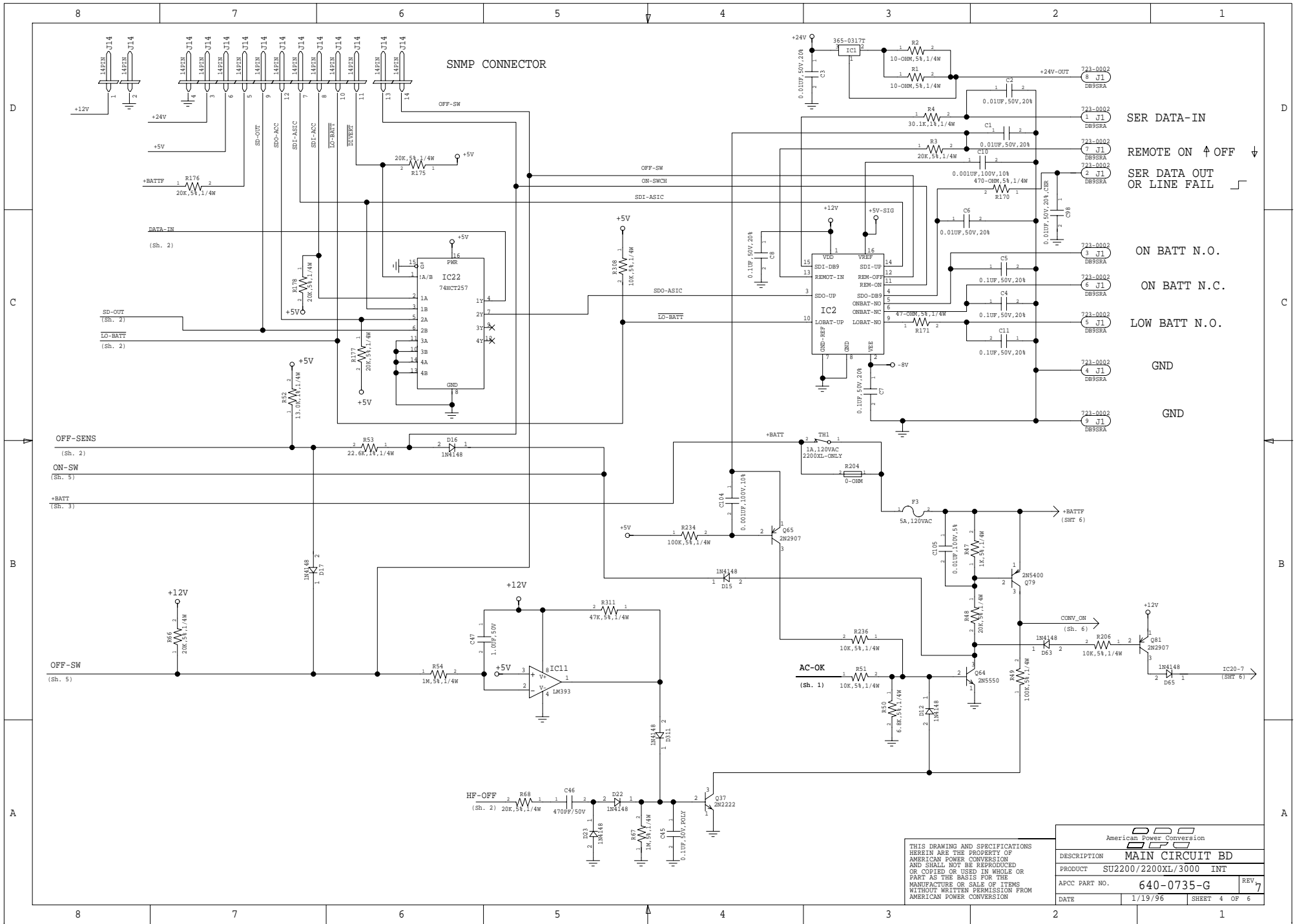


American Power Conversion			
DESCRIPTION	MAIN CIRCUIT BD		
PRODUCT	SU2200/2200XL/3000 INT		
APCC PART NO.	640-0735-G		
DATE	1/19/96	SHEET	2 OF 6



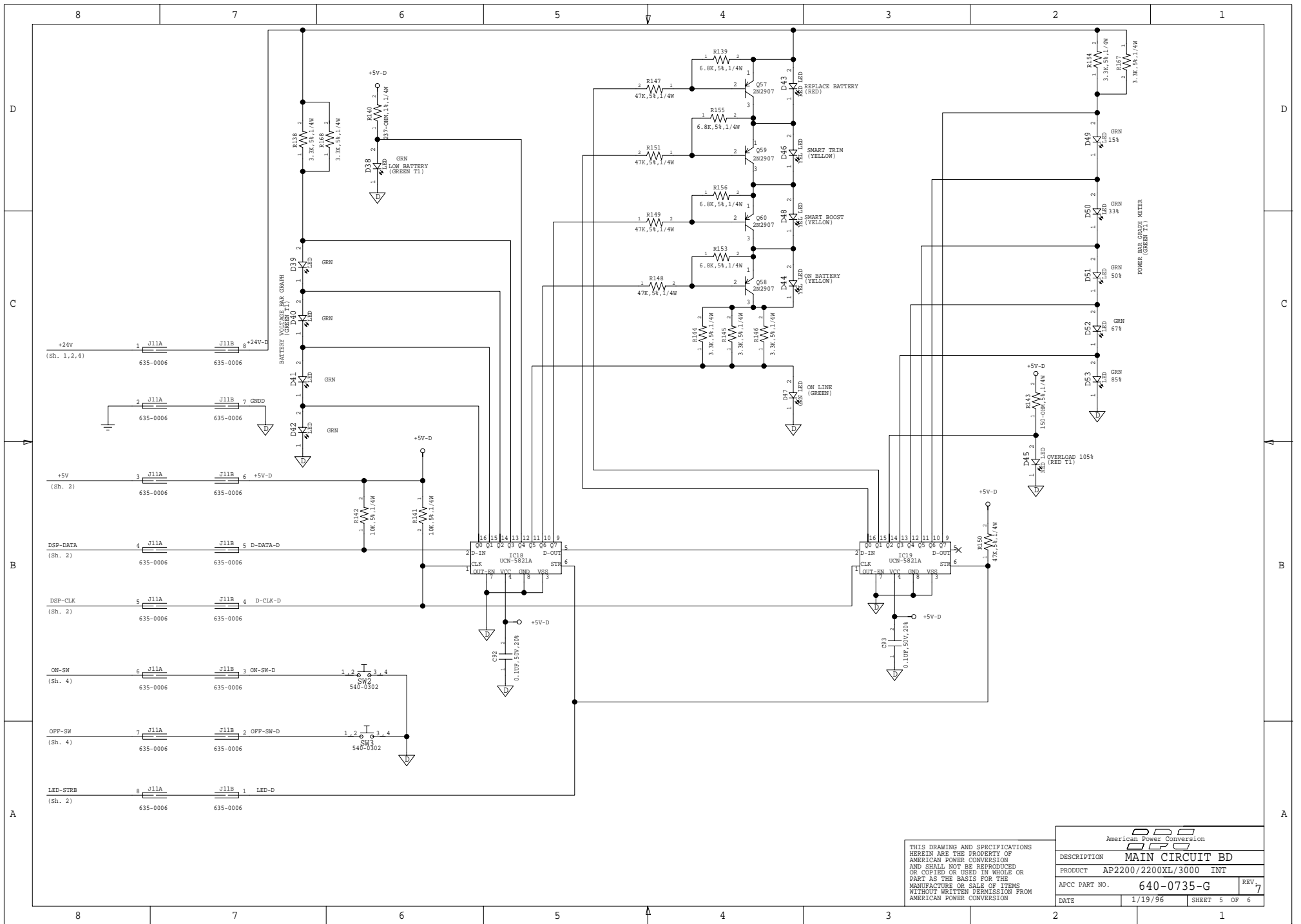
THIS DRAWING AND SPECIFICATIONS
HEREIN ARE THE PROPERTY OF
AMERICAN POWER CONVERSION
AND SHALL NOT BE REPRODUCED
OR COPIED OR USED IN WHOLE OR
PART AS THE BASIS FOR THE
MANUFACTURE OR SALE OF ITEMS
WITHOUT WRITTEN PERMISSION FROM
AMERICAN POWER CONVERSION

American Power Conversion			
DESCRIPTION	MAIN CIRCUIT BD		
PRODUCT	SU2200/2200XL/3000 INT		
APCC PART NO.	640-0735-G		
DATE	1/19/96	SHEET	3 OF 6
		REV	7



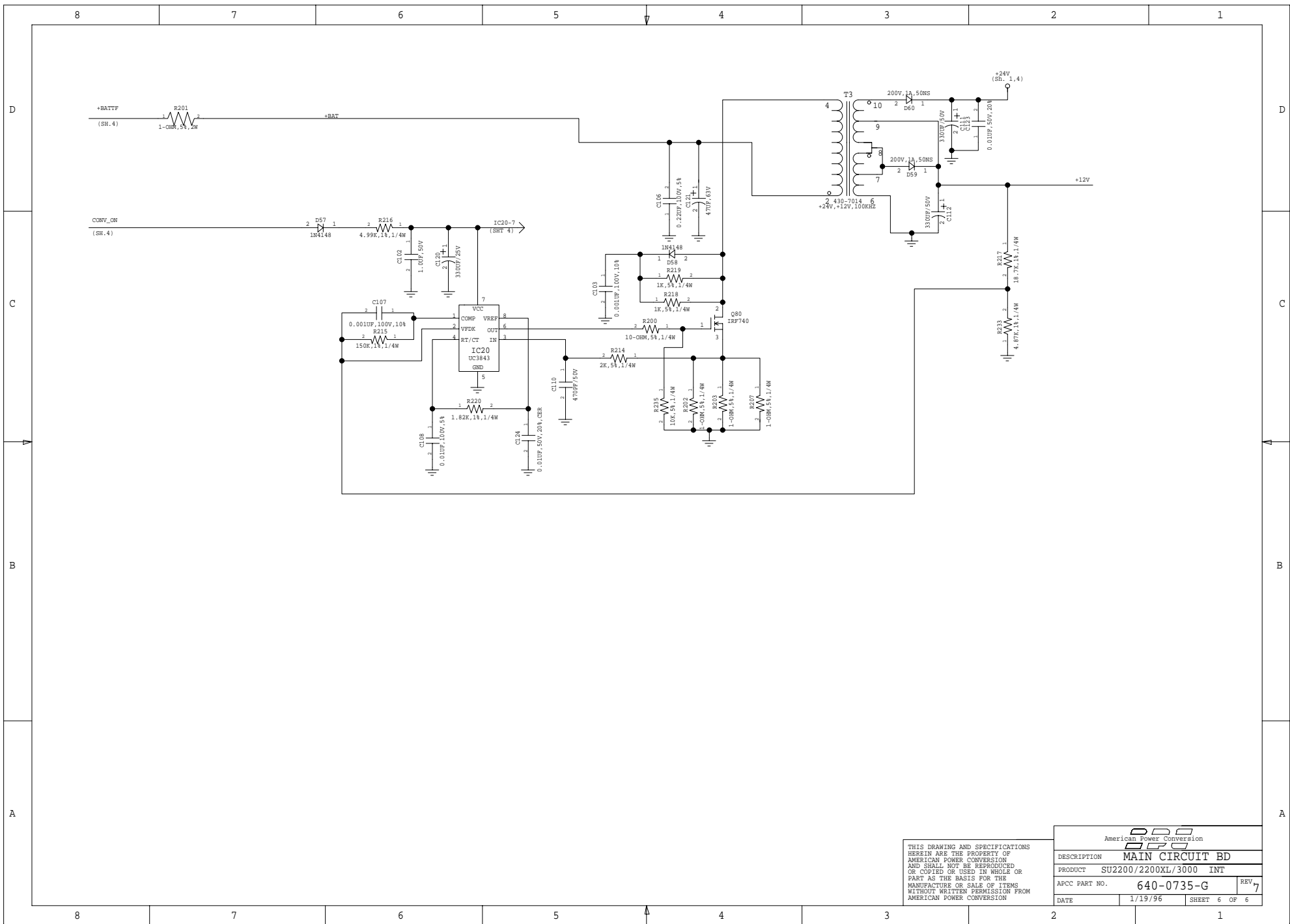
THIS DRAWING AND SPECIFICATIONS
HEREIN ARE THE PROPERTY OF
AMERICAN POWER CONVERSION
AND SHALL NOT BE REPRODUCED
OR COPIED OR USED IN WHOLE OR
PART AS THE BASIS FOR THE
MANUFACTURE OR SALE OF ITEMS
WITHOUT WRITTEN PERMISSION FROM
AMERICAN POWER CONVERSION

American Power Conversion	
DESCRIPTION	
MAIN CIRCUIT BD	
PRODUCT	
SU2200/2200XL/3000 INT	
APCC PART NO.	
640-0735-G	
DATE	1/19/96
SHEET	4 OF 6
REV	7



THIS DRAWING AND SPECIFICATIONS
HEREIN ARE THE PROPERTY OF
AMERICAN POWER CONVERSION
AND SHALL NOT BE REPRODUCED
OR COPIED OR USED IN WHOLE OR
PART AS THE BASIS FOR THE
MANUFACTURE OR SALE OF ITEMS
WITHOUT WRITTEN PERMISSION FROM
AMERICAN POWER CONVERSION

DESCRIPTION MAIN CIRCUIT BD	
PRODUCT AP2200/2200XL/3000 INT	
APCC PART NO.	640-0735-G REV 7
DATE	1/19/96 SHEET 5 OF 6



THIS DRAWING AND SPECIFICATIONS
HEREIN ARE THE PROPERTY OF
AMERICAN POWER CONVERSION
AND SHALL NOT BE REPRODUCED
OR COPIED OR USED IN WHOLE OR
PART AS THE BASIS FOR THE
MANUFACTURE OR SALE OF ITEMS
WITHOUT WRITTEN PERMISSION FROM
AMERICAN POWER CONVERSION

American Power Conversion		
MAIN CIRCUIT BD		
PRODUCT SU2200/2200XL/3000 INT		
APCC PART NO.	640-0735-G	REV 7
DATE	1/19/96	SHEET 6 OF 6