

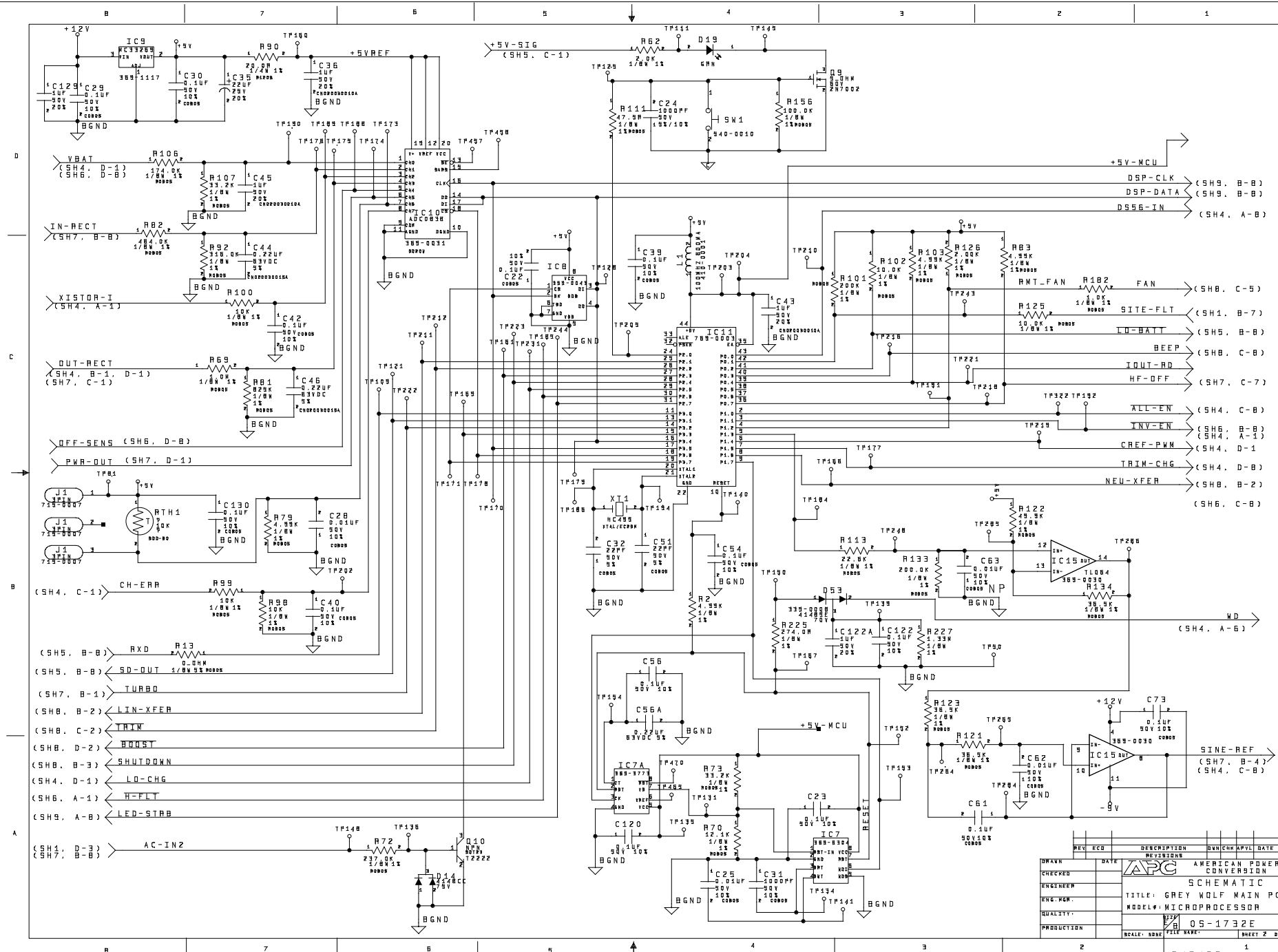
**NOTE 1.**  
 The BOM controls component values, quantities and reference designators for assemblies built from this circuit schematic.

REV	ECO	DATE	DESCRIPTION	BY	CHKD	APVL	DATE
			AMERICAN POWER				
			CDNVERSION				
			SCHEMATIC				
			TITLE: GREY WOLF MAIN PCB				
			MODEL#: POWER				
			QUALITY:				
			PRODUCTION:				

REV	ECO	DATE	DESCRIPTION	BY	CHKD	APVL	DATE
			AMERICAN POWER				
			CDNVERSION				
			SCHEMATIC				
			TITLE: GREY WOLF MAIN PCB				
			MODEL#: POWER				
			QUALITY:				
			PRODUCTION:				

THIS DRAWING IS THE PROPERTY OF AMERICAN POWER CORPORATION. IT IS LOANED TO YOU BY THE COMPANY AND IS NOT TO BE REPRODUCED OR TRANSMITTED IN ANY FORM OR BY ANY MEANS, ELECTRONIC OR MECHANICAL, INCLUDING PHOTOCOPYING, RECORDING, OR BY ANY INFORMATION STORAGE AND RETRIEVAL SYSTEM, WITHOUT THE WRITTEN PERMISSION OF AMERICAN POWER CORPORATION.



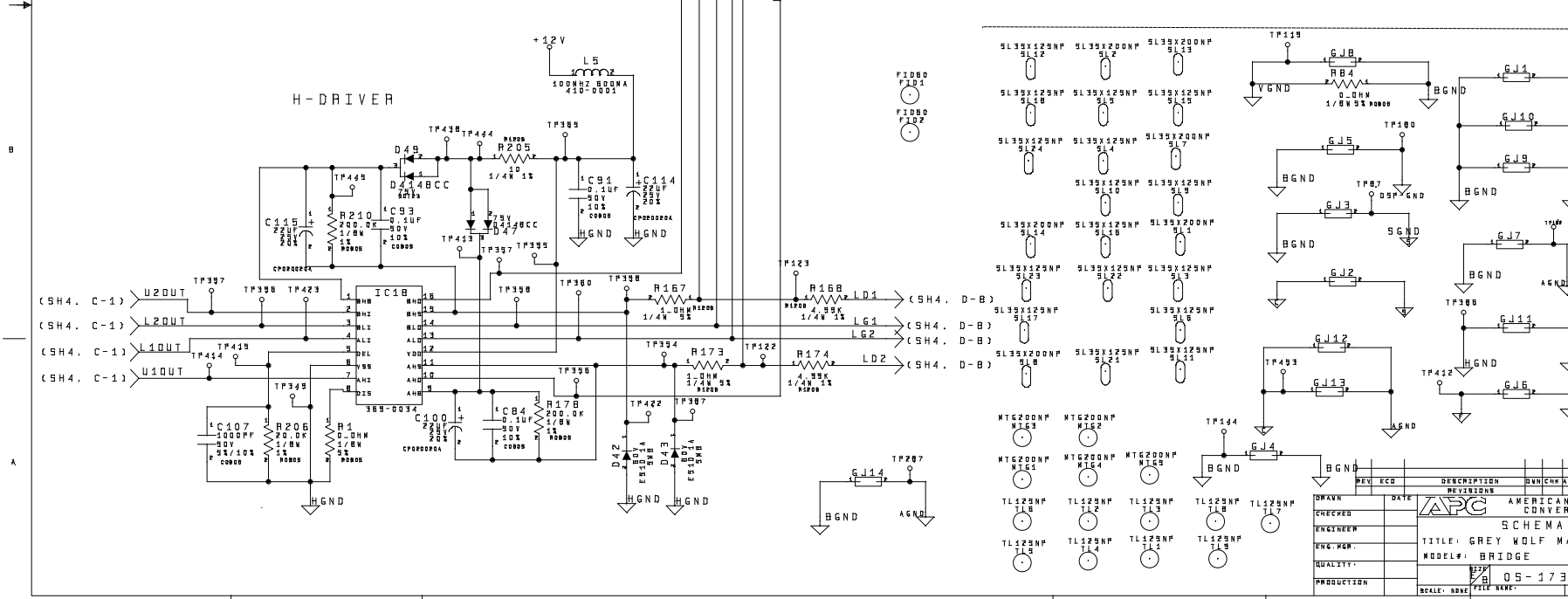
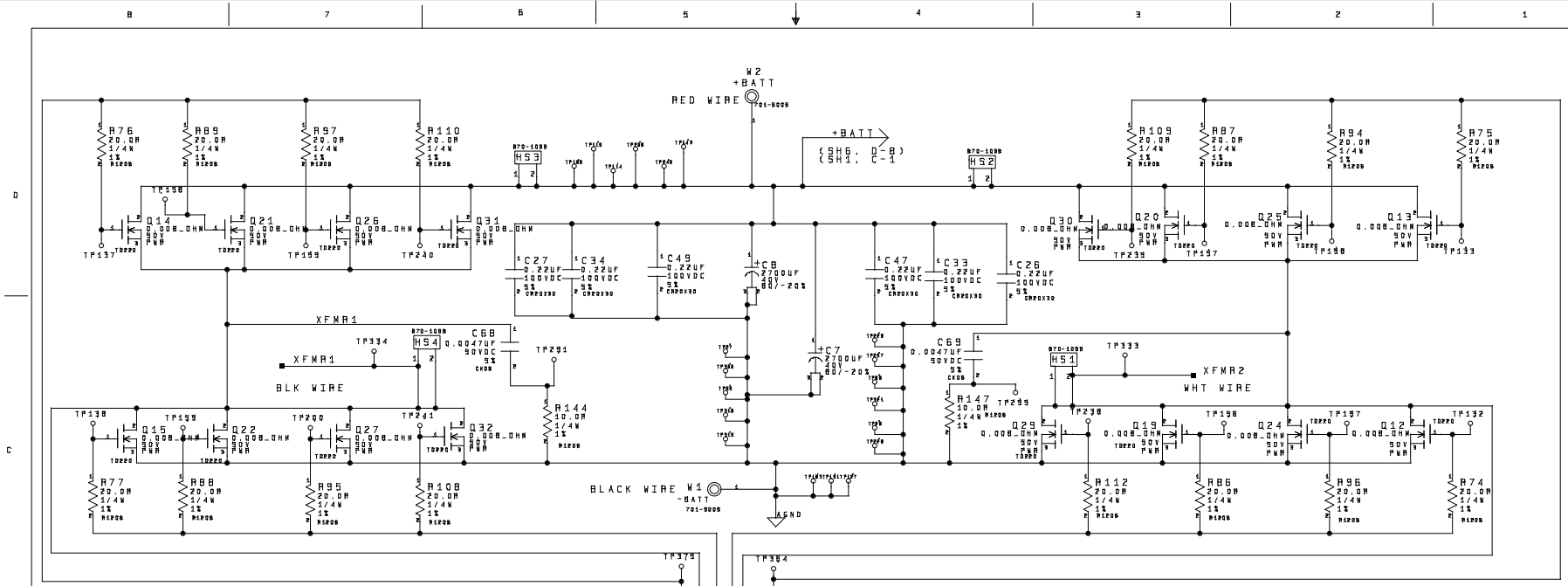
THIS DOCUMENT IS UNCLASSIFIED. IT IS THE PROPERTY OF AMERICAN POWER CONVERSION. IT IS LOANED TO YOUR ORGANIZATION AND IS NOT TO BE REPRODUCED OR TRANSMITTED IN ANY FORM OR BY ANY MEANS, ELECTRONIC OR MECHANICAL, INCLUDING PHOTOCOPYING, RECORDING, OR BY ANY INFORMATION STORAGE AND RETRIEVAL SYSTEM, WITHOUT THE EXPRESS WRITTEN PERMISSION OF AMERICAN POWER CONVERSION.

REV	ECO	DESCRIPTION	BY	CHK	APVL	DATE

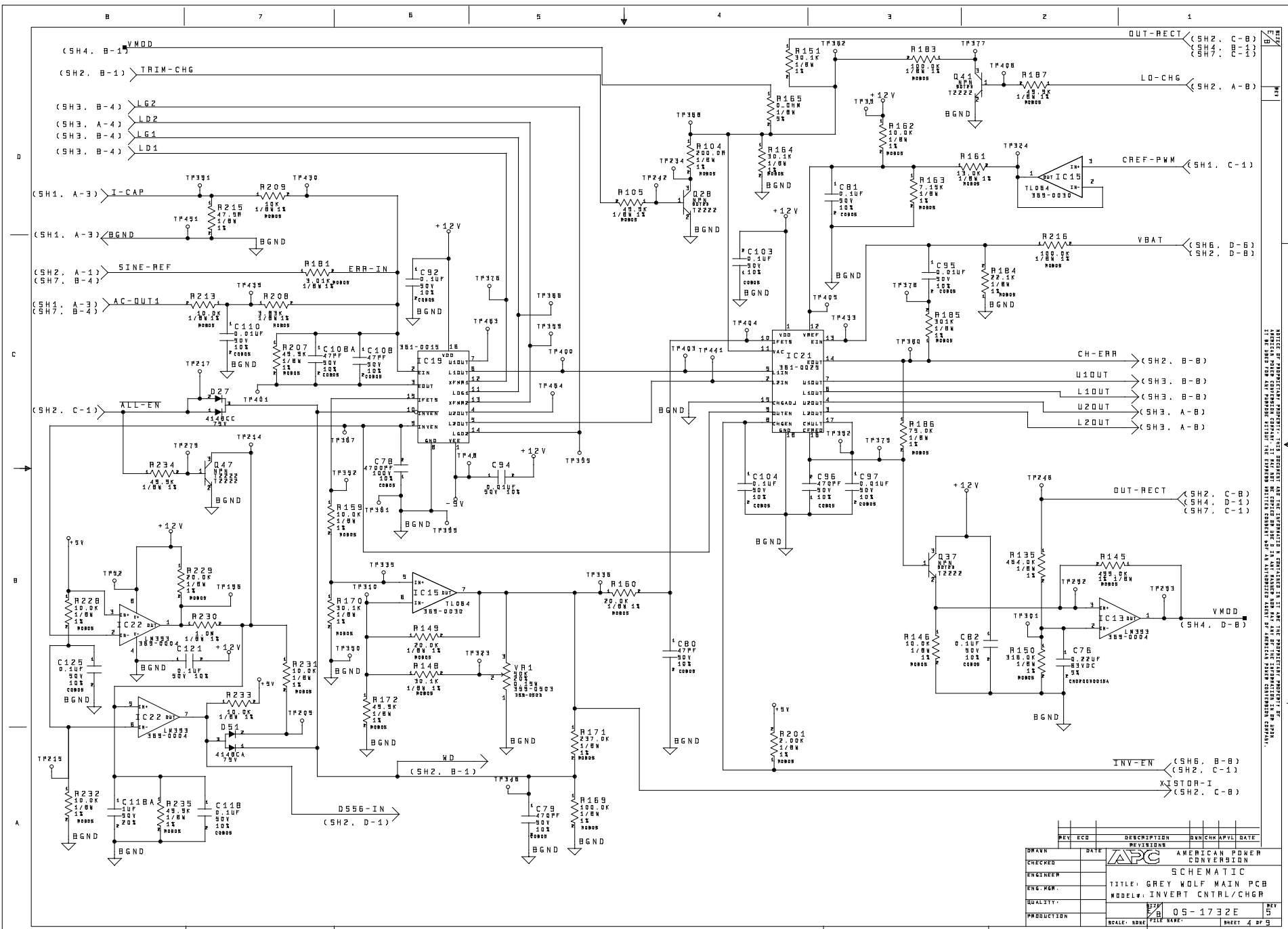
  

DRAWN	DATE	DESCRIPTION	AMERICAN POWER CONVERSION
CHECKED		TITLE: GREY WOLF MAIN PCB	
ENGINEER		MODEL: MICROPROCESSOR	
QUALITY		05-1732E	REV 0
PRODUCTION		SCALE: NONE	SHEET 2 OF 9

THIS DRAWING IS THE PROPERTY OF AMERICAN POWER CONVERSION, INC. IT IS TO BE USED ONLY FOR THE PROJECT AND QUANTITY SPECIFIED IN THE ORDER. IT IS NOT TO BE REPRODUCED OR TRANSMITTED IN ANY FORM OR BY ANY MEANS, ELECTRONIC OR MECHANICAL, INCLUDING PHOTOCOPYING, RECORDING, OR BY ANY INFORMATION STORAGE AND RETRIEVAL SYSTEM. THE EMPLOYEE OR CONTRACTOR WHO HAS MADE THIS DRAWING IS TO BE HELD RESPONSIBLE FOR THE ACCURACY OF THE INFORMATION CONTAINED HEREIN.



REV	ECO	DESCRIPTION	BY	CHKD	APVL	DATE
1		SCHEMATIC				
DRAWN: [Signature] CHECKED: [Signature] ENGINEER: [Signature] QUALITY: [Signature] PRODUCTION: [Signature]						
TITLE: GREY WOLF MAIN PCB MODEL#: BRIDGE SCALE: NONE FILE NAME: 05-1732E						REV 15 SHEET 3 OF 5



THIS DOCUMENT IS UNCLASSIFIED EXCEPT WHERE SHOWN OTHERWISE. IT IS UNCLASSIFIED TO THE EXTENT PERMITTED BY THE APPLICABLE PROVISIONS OF THE EXECUTIVE ORDER ON PRIVACY AND INFORMATION SECURITY. DATE OF DECLASSIFICATION IS ON OADR.

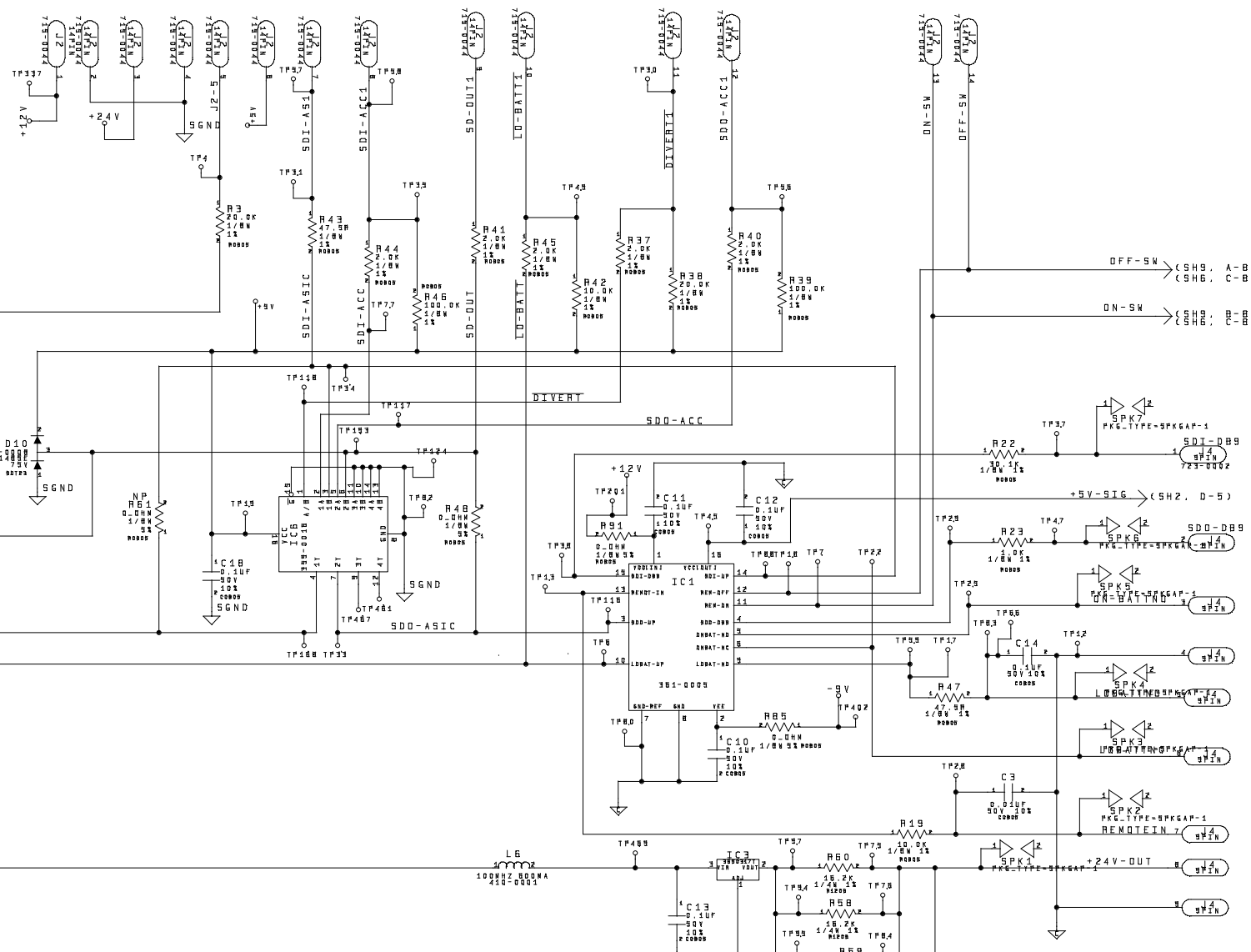
REV	ECO	DESCRIPTION	BY	CHK	APVL	DATE
		REVISIONS				
		AMERICAN POWER				
		CDNVERSION				
		SCHMATIC				
		TITLE: GREY WOLF MAIN PCB				
		MODEL: INVERT CNTRL/CHGR				
		QUALITY:				
		PRODUCTION				
		SCALE: NONE				
		FILE NAME:				

Pin	Signal Name
1	SGND
2	+2.4V
3	+2.4V
4	+2.4V
5	+2.4V
6	+2.4V
7	+2.4V
8	+2.4V
9	+2.4V
10	+2.4V
11	+2.4V
12	+2.4V
13	+2.4V
14	+2.4V
15	+2.4V
16	+2.4V
17	+2.4V
18	+2.4V
19	+2.4V
20	+2.4V
21	+2.4V
22	+2.4V
23	+2.4V
24	+2.4V
25	+2.4V
26	+2.4V
27	+2.4V
28	+2.4V
29	+2.4V
30	+2.4V
31	+2.4V
32	+2.4V
33	+2.4V
34	+2.4V
35	+2.4V
36	+2.4V
37	+2.4V
38	+2.4V
39	+2.4V
40	+2.4V
41	+2.4V
42	+2.4V
43	+2.4V
44	+2.4V
45	+2.4V
46	+2.4V
47	+2.4V
48	+2.4V
49	+2.4V
50	+2.4V
51	+2.4V
52	+2.4V
53	+2.4V
54	+2.4V
55	+2.4V
56	+2.4V
57	+2.4V
58	+2.4V
59	+2.4V
60	+2.4V
61	+2.4V
62	+2.4V
63	+2.4V
64	+2.4V
65	+2.4V
66	+2.4V
67	+2.4V
68	+2.4V
69	+2.4V
70	+2.4V
71	+2.4V
72	+2.4V
73	+2.4V
74	+2.4V
75	+2.4V
76	+2.4V
77	+2.4V
78	+2.4V
79	+2.4V
80	+2.4V
81	+2.4V
82	+2.4V
83	+2.4V
84	+2.4V
85	+2.4V
86	+2.4V
87	+2.4V
88	+2.4V
89	+2.4V
90	+2.4V
91	+2.4V
92	+2.4V
93	+2.4V
94	+2.4V
95	+2.4V
96	+2.4V
97	+2.4V
98	+2.4V
99	+2.4V
100	+2.4V

+BATT F  
 {SH6: D-1}  
 (SHORT to +BATT thru FUSE)

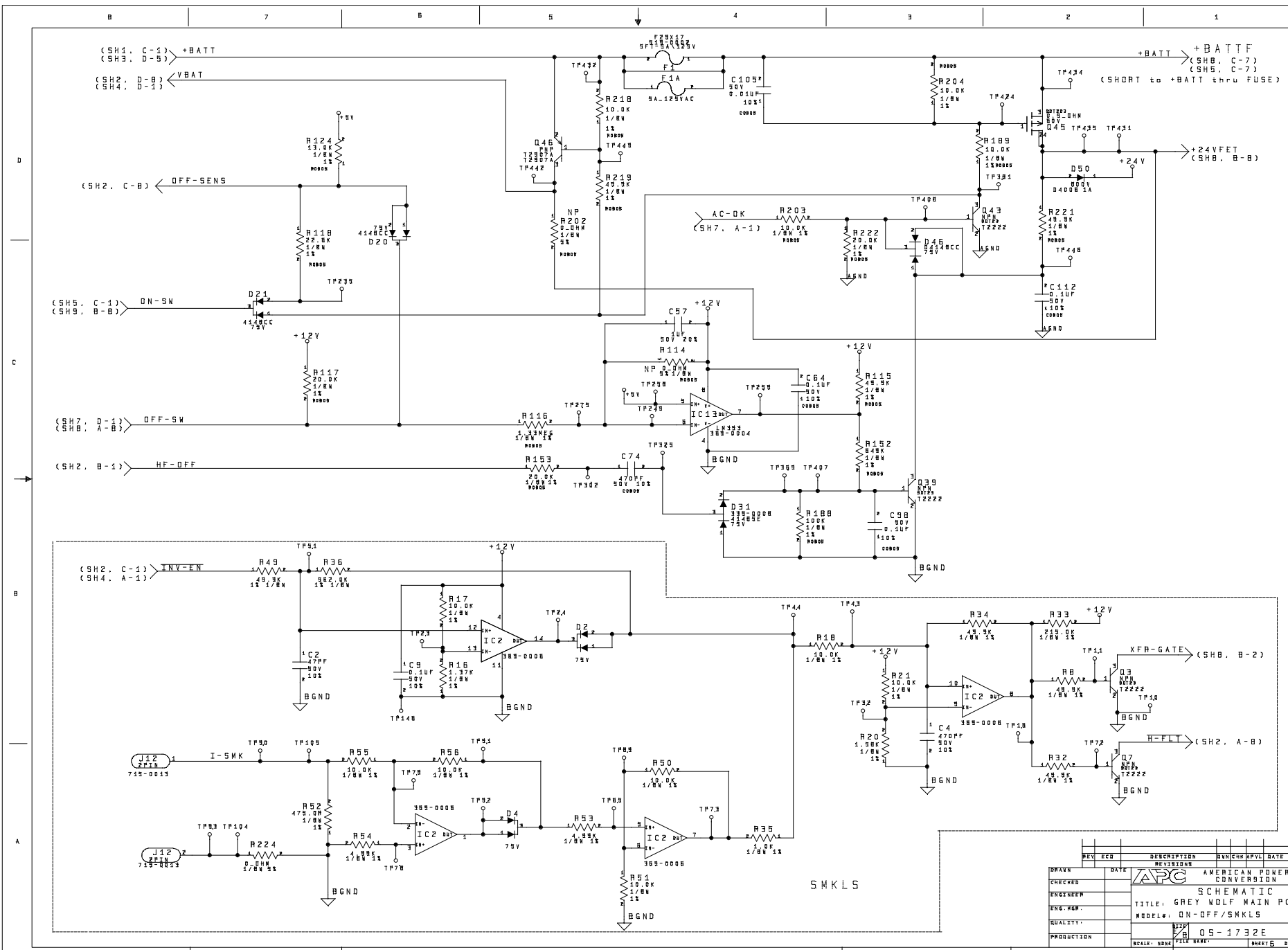
(SH2: B-B) SD-DUT  
 (SH2: B-B) RXD  
 (SH2: C-1) LU-BATT

(SH6: D-2) +2.4V



REV	ECO	DESCRIPTION	DATE	APV	DATE
		REVISIONS <td></td> <td></td> <td></td>			
		AMERICAN POWER <td></td> <td></td> <td></td>			
		CONVERSION <td></td> <td></td> <td></td>			
		SCHMATIC <td></td> <td></td> <td></td>			
		TITLE: GREY WOLF MAIN PCB <td></td> <td></td> <td></td>			
		MODEL#: SMARTSLOT/DB9 <td></td> <td></td> <td></td>			
		QUALITY:			
		PRODUCTION			
		SCALE: NONE			
		FILE NAME:			
		05-1732E			
		SHEET 9			
		OF 9			

THIS DOCUMENT IS THE PROPERTY OF AMERICAN POWER CONVERSION. IT IS TO BE USED ONLY FOR THE PROJECT AND FOR WHICH IT WAS DESIGNED. IT IS NOT TO BE REPRODUCED OR TRANSMITTED IN ANY FORM OR BY ANY MEANS, ELECTRONIC OR MECHANICAL, INCLUDING PHOTOCOPYING, RECORDING, OR BY ANY INFORMATION STORAGE AND RETRIEVAL SYSTEM, WITHOUT THE WRITTEN PERMISSION OF AMERICAN POWER CONVERSION.



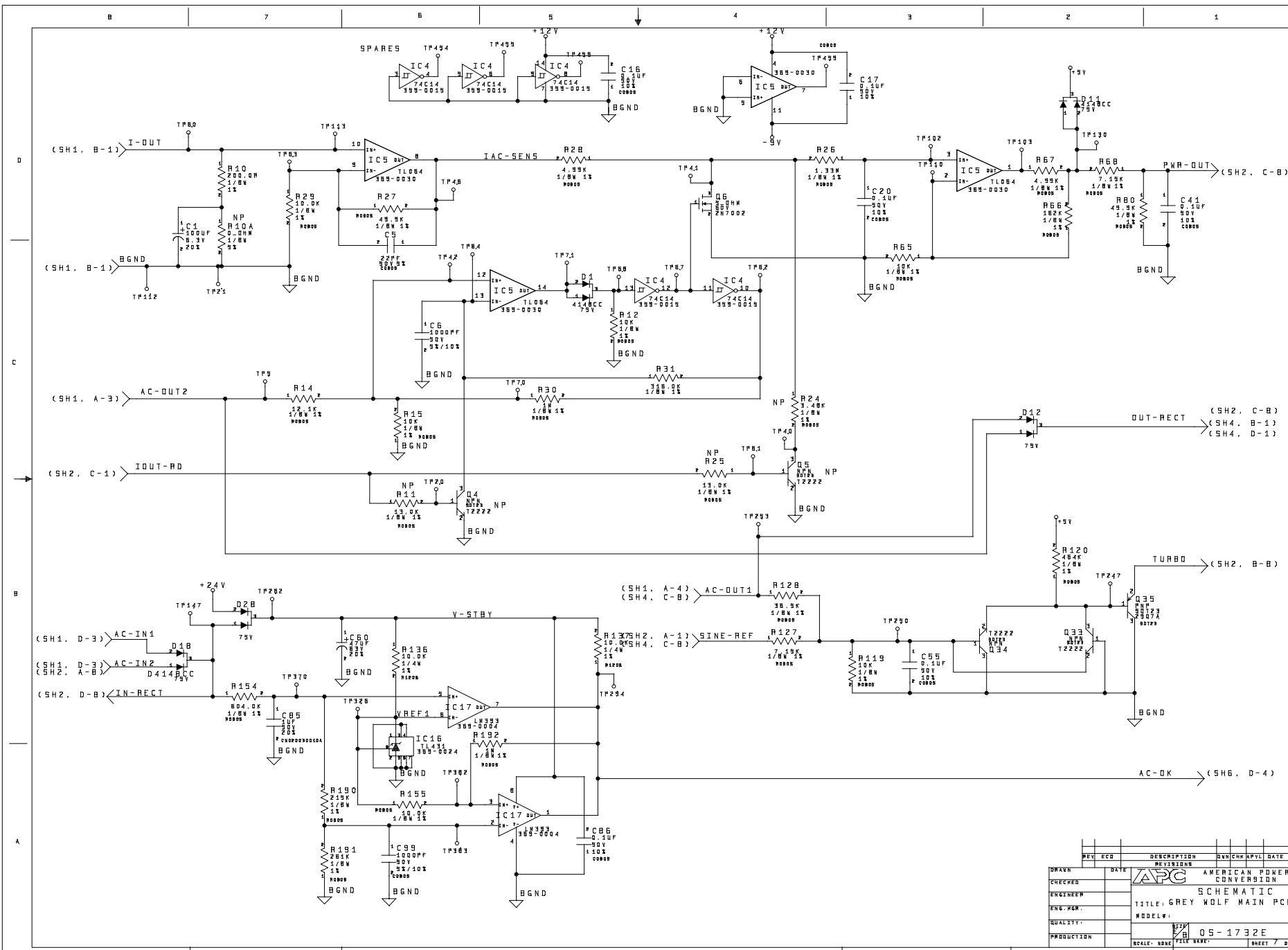
THIS DOCUMENT IS UNCLASSIFIED EXCEPT WHERE SHOWN OTHERWISE. IT IS THE PROPERTY OF THE U.S. GOVERNMENT AND IS LOANED TO YOUR ORGANIZATION; IT AND ITS CONTENTS ARE NOT TO BE DISTRIBUTED OUTSIDE YOUR ORGANIZATION.

SMKLS

REV	ECO	DESCRIPTION	DRN	CHK	APVL	DATE
		REVISIONS				

DRWN	DATE	AMERICAN POWER
CHKD		CONVERSION
ENGR		SCHMATIC
ENG-PGR		TITLE: GREY WOLF MAIN PCB
QUALITY		MODEL#: QN-OFF/SMKLS
PRODUCTION		05-1732E
	SCALE: NONE	SHEET 5 OF 5

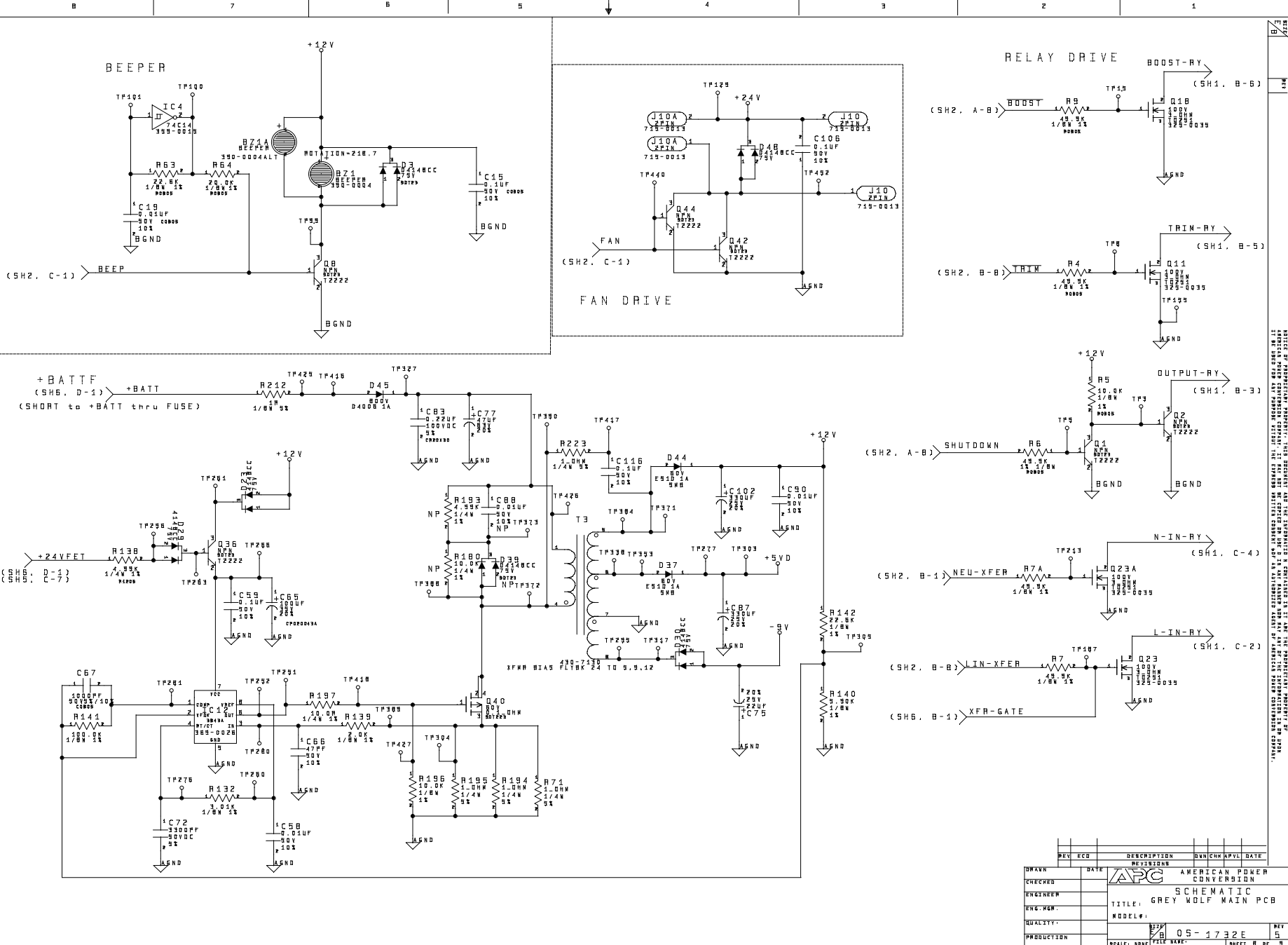


REVISIONS

REV	ECO	DESCRIPTION	DATE
1		SCHEMATIC	9/3/99

DRAWN: [ ] DATE: [ ]  
 CHECKED: [ ]  
 ENGINEER: [ ]  
 TITLE: GREY WOLF MAIN PCB  
 MODEL #: [ ]  
 QUALITY: [ ]  
 PRODUCTION: [ ]

SCALE: NONE  
 FILE NAME: [ ]  
 SHEET 7 OF 9



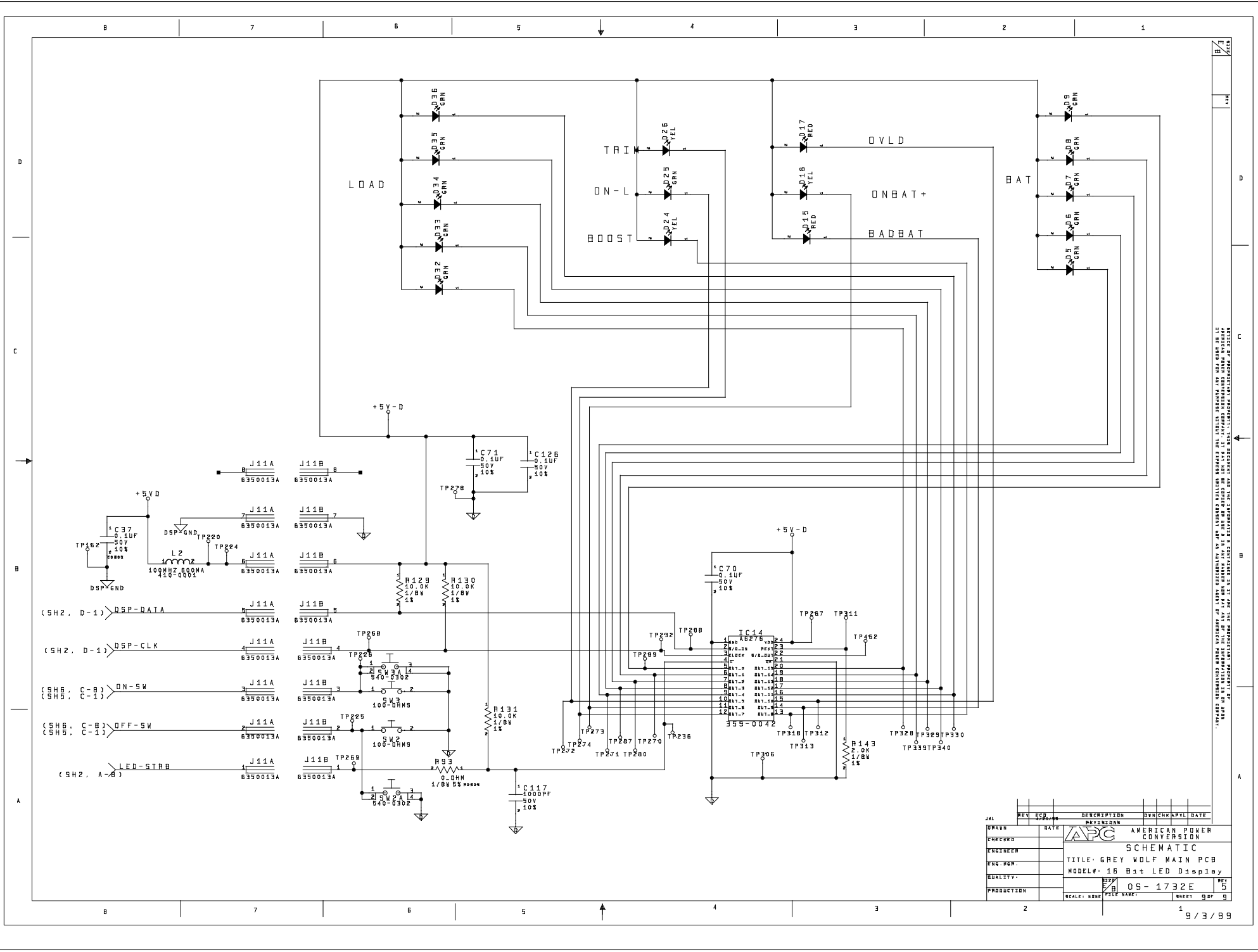
REV	ECO	DESCRIPTION	BY	CHKD	APVL	DATE
		REVISIONS				
DRAWN						
CHECKED						
ENGINEER						
ENG. PKG.						
QUALITY						
PRODUCTION						

AMERICAN POWER CONVERSION	
SHEETS: 05-1732E	
SHEET 8 OF 9	

THIS DOCUMENT IS UNCLASSIFIED EXCEPT WHERE SHOWN OTHERWISE. IT IS THE PROPERTY OF AMERICAN POWER CONVERSION, INC. AND IS LOANED TO YOU BY THE U.S. GOVERNMENT. IT IS NOT TO BE REPRODUCED OR TRANSMITTED IN ANY FORM OR BY ANY MEANS, ELECTRONIC OR MECHANICAL, INCLUDING PHOTOCOPYING, RECORDING, OR BY ANY INFORMATION STORAGE AND RETRIEVAL SYSTEM, WITHOUT PERMISSION IN WRITING FROM AMERICAN POWER CONVERSION, INC.





THIS DRAWING IS THE PROPERTY OF AMERICAN POWER CONVERSION. IT IS TO BE USED ONLY FOR THE PROJECT AND MODEL SPECIFICALLY IDENTIFIED ON THE DRAWING. IT IS NOT TO BE REPRODUCED OR TRANSMITTED IN ANY FORM OR BY ANY MEANS, ELECTRONIC OR MECHANICAL, INCLUDING PHOTOCOPYING, RECORDING, OR BY ANY INFORMATION STORAGE AND RETRIEVAL SYSTEM.

REV	DATE	DESCRIPTION	BY	CHK	APVL	DATE
1						

DRAWN	DATE	REVISIONS	AMERICAN POWER CONVERSION
CHECKED			
ENGINEER			
ENG. NO.			
QUALITY			
PRODUCTION			

TITLE	SCHEMATIC
MODEL#	Bat LED Display
PROJ#	05-1732E
SCALE	DATE
SHEET	5
OF	5