

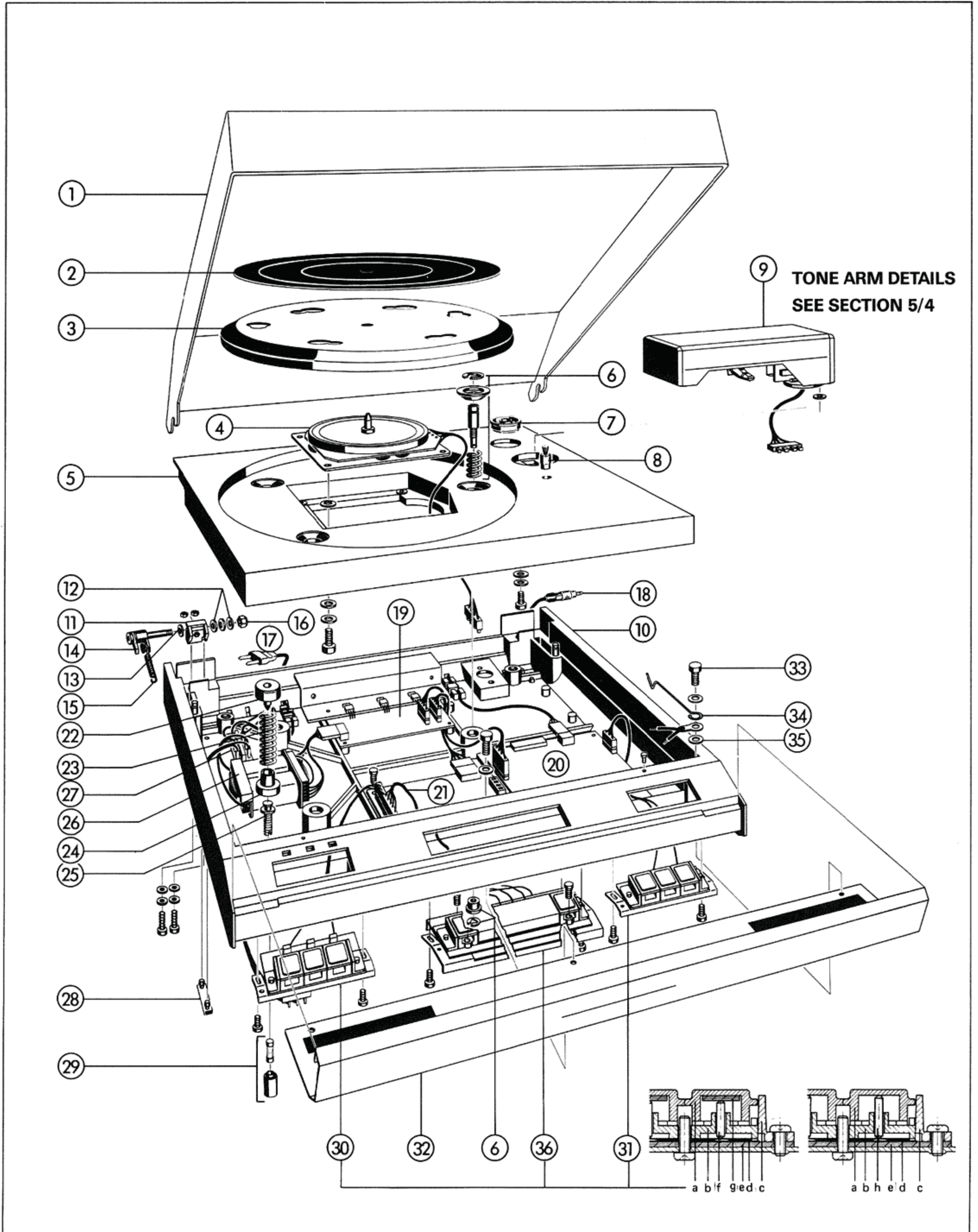
The home of the turntable

# THE VINYL **ENGINE**®

For more turntable manuals and setup information  
please visit [www.vinylengine.com](http://www.vinylengine.com)



SPARE PARTS TURNTABLE



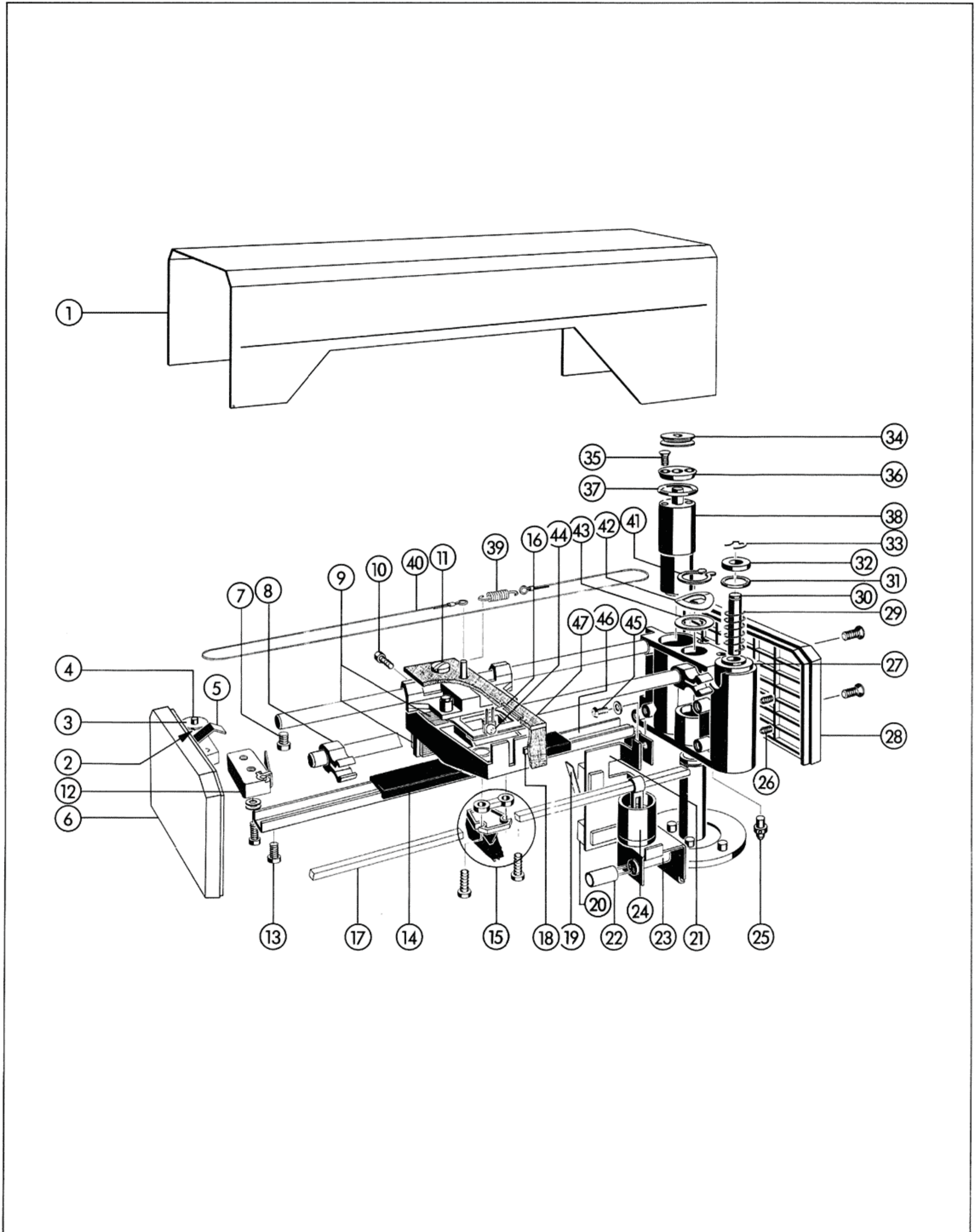
## SPARE PARTS TURNTABLE

INDEX	QTY		ARTICLE NUMBER	PART NAME
	B791	B795		
01	1	1	1.179.001.01	Dust cover
02	1	1	1.179.020.32	Turntable mat
03	1	1	1.179.020.24	Platter
04	1	1	1.021.500.00	Motor compl.
	4	4	23.01.2043	Washer
	4	4	24.16.1040	Lock washer
	4	4	21.53.0456	Screw M4x14
05	1		179.020.28	Chassis
		1	179.020.34	Serie-No. < 19 027
		1	179.020.28	Serie-No. > 19 028
06	3	3		Transport securing
	3	3	1.179.020.29	Pressure ring
	3	3	1.179.020.26	Adjusting screw
	3	3	24.16.3060	Shaft lock
	3	3	1.010.063.37	Pressure spring
	3	3	22.16.4001	Crown washer
07	1	1	1.179.001.03	Adaptor 45 rpm
08	1	1	1.179.001.08	Brush
09	1	1	1.179.200.00	Tone arm compl.
	x	x	1.062.300.03	Spacer shim 0,1mm
	x	x	1.062.300.04	Spacer shim 0,3mm
	3	3	23.01.2032	Washer
	3	3	24.16.1030	Lock washer
	3	3	1.010.018.21	Screw M3x14
10	1		1.179.180.00	Bottom compl.
		1	1.179.241.00	Bottom compl.
11	2	2	1.179.165.02	Hinge support
	4	4	22.01.8030	Hex nut M3
	4	4	24.16.1030	Locking Washer
	4	4	23.01.2032	Washer
	4	4	21.26.0371	Screw M3x14
12	6	6	37.01.0103	Spring washer
13	4	4	23.01.2043	Washer
14	2	2	1.179.242.00	Hinge axle
15	2	2	1.010.039.37	Tension spring
16	2	2	22.99.0116	Hex nut M4
17	1	1	1.067.307.00	Power cord EUR
	1	1	1.067.308.00	Power cord USA
18	1	1	1.179.140.05	Audio cable
19	1	1	1.179.259.81	Power supply PCB compl.
	4	4	20.22.7155	Screw Diam. 9x9,5
20	1		1.179.190.00	Tone arm control PCB compl.
		1	1.179.250.00	< Serie-No. 30 249
		1	1.179.190.00	> Serie-No. 30 250
	4	4	20.22.7155	Screw Diam. 2,9x9,5
21	1		1.179.192.00	Motor control PCB compl.
		1	1.179.252.00	Motor control PCB compl.
	4	4	20.22.7155	Screw Diam. 2,9x9,5
22	4	4	1.179.140.04	Spring cap

## SPARE PARTS TURNTABLE

INDEX	QTY		ARTICLE NUMBER	PART NAME
	B791	B795		
23	4	4	1.179.140.06	Special spring
24	4	4	1.179.140.10	Spring support
25	4	4	1.179.140.09	Threaded bolt
26	1	1	1.179.257.00	Mains transformer compl.
	4	4	24.16.1040	Lock washer
	4	4	22.01.8040	Hex nut M4
	4	4	1.010.001.21	Screw M4x10
27	1	1	1.179.160.00	Mains distribution PCB
	2	2	20.22.7155	Screw Diam. 2,9x9,5
28	4	4	1.177.450.04	Rubberfoot
29	1	1	53.03.0114	Fuse holder
	1	1	53.03.0115	Fuse holder cap
	1	1	51.01.0110	Fuse 200mA slow blowing (220V)
	1	1	51.01.0113	Fuse 400mA slow blowing (110V)
30	1	1	1.179.245.00	Motor push button unit
	2	2	20.22.7155	Screw Diam. 2,9x9,5
	1	1	1.011.230.00	Mains switch
a	2	2	1.011.201.05	Push button (grey)
b	1	1	1.011.202.07	Push button box
c	2	2	1.179.143.11	Angle
d	1	1	1.011.202.09	Pressure spring
e	1	1	1.011.202.08	Insulating Strip
f	2	2	1.011.220.01	Bolt
g	2	2	1.011.220.02	Rubber mat
h	2	2	1.011.220.03	Bolt
31	1	1	1.179.247.00	Tone arm push button unit
	2	2	20.22.7155	Screw Diam. 2,9x9,5
a	2	2	1.011.201.05	Push button (grey)
b	2	2	1.011.203.07	Push button box
c	2	2	1.179.143.11	Angle
d	2	2	1.011.203.06	Pressure Spring
e	2	2	1.011.203.07	Insulating Strip
f	2	2	1.011.220.01	Bolt
g	2	2	1.011.220.02	Rubber mat
h	2	2	1.011.220.03	Bolt
32	1	1	1.179.010.02	Style strip
	1	1	1.179.020.02	Style strip
	3	3	24.16.1030	Lock washer
	1	1	21.38.0355	Screw M3x8
33	2	2	21.26.0356	Screw M3x10
34	2	2	1.179.020.34	Damping spring
		2	1.179.020.30	Serie-No.< 19 027
		2	1.179.020.34	Serie-No.> 19 028
35	2	2	23.01.2032	Washer
36	1	1	1.179.185.00	Display unit compl.
	2	2	20.22.7155	Screw Diam. 2,9x9,5
a	2	2	1.011.201.05	Push button (grey)
b	2	2	1.011.201.07	Push button box
c	2	2	1.179.143.11	Angle
d	2	2	1.011.201.02	Pressure spring
e	2	2	1.011.201.03	Insulating strip
f	2	2	1.011.220.01	Bolt
g	2	2	1.011.220.02	Rubber mat
h	2	2	1.011.220.03	Bolt
	1	1	1.179.186.00	Display Board
	5	5	73.01.0121	LED-Display

## SPARE PARTS TURNTABLE



## SPARE PARTS TURNTABLE

INDEX	QTY		ARTICLE NUMBER	PART NAME
	B791	B795		
01	1	1	1.179.200.05	Protective cover tone arm
02	1	1	1.010.027.23	Washer teflon
03	1	1	1.179.120.03	Pulley
04	1	1	41.99.0117	Bearing pin
05	1	1	1.179.200.21	Grounding spring
06	1	1	1.179.205.00	Shield (left)
07	2	2	21.53.0354	Screw M3x6
08	2	2	1.179.115.04	Lift-rod clamp
09	1	1	1.179.115.05	Counterweight adjustable
	1	1	1.179.115.06	Counterweight for cartridge < 5p
	1	1	1.179.115.07	Counterweight for cartridge 5...7p
10	1	1	1.179.121.02	Adjusting screw for counterweight
11	1	1	1.179.115.09	Adjusting screw for arm lowering
12	1	1	55.01.0135	Microswitch
	4	4	23.01.1022	Washer
	2	2	21.01.0206	Screw M2x10
13	1	1	21.26.0353	Screw M3x5
14	1	1	1.179.100.01	Cover for cable-through
15	1	1	89.01.0349	Pick-up REVOX P20MDR
	1	1	89.01.0001	Stylus PD20
	2	2	21.13.0280	Screw M2,5x8
	1	1	1.179.100.31	Distance piece 1mm
	1	1	1.179.100.20	Distance piece pick-up 1mm
	1	1	89.01.0350	Pick-up SHURE TRACER
	1	1	89.01.0002	Stylus TXE-SR
	2	2	21.13.0286	Screw M2,5x20
	1	1	1.179.100.33	Distance piece 3mm
16	1	1	1.179.115.08	Slider
	1	1	1.179.115.15	Distance sleeve
17	1	1	1.179.120.01	Lever
18	2	2	50.99.0132	IR Photo diode BPW 34
19	1	1	55.01.0135	Microswitch
	2	2	23.01.1022	Washer
	2	2	21.01.0206	Screw M2x10
20	1	1	55.01.0134	Microswitch
	2	2	23.01.1022	Washer
	2	2	21.01.0206	Screw M2x10
	2	2	24.16.1020	Lock washer
	2	2	1.081.010.20	Tapped plate
21	1	1	1.179.125.07	Switch bracket
22	1	1	51.02.0153	Lamp 5 V, 0.115 A
23	1	1	53.04.0117	Lamp socket T1 3/4
24	1	1	1.179.203.00	Piston damper compl. MK II
	1	1	1.179.125.14	Plate spring
25	1	1	1.179.125.26	Excentric bolt

## SPARE PARTS TURNTABLE

INDEX	QTY		ARTICLE NUMBER	PART NAME
	B791	B795		
26	2	2	21.59.5351	Threaded pin
27	1	1	1.014.820.00	Arm lift solenoid
28	1	1	1.179.200.04	Shield (right)
	2	2	21.99.0159	Screw M3x8 black
29	1	1	1.010.049.37	Pressure spring
30	1	1	1.014.820.07	Plunger
31	1	1	31.99.0122	Sealing ring
32	1	1	1.014.820.08	Guide cap
33	1	1	24.16.3050	Retaining clip
34	1	1	1.179.100.02	Motor pulley
35	1	1	21.01.0127	Screw M1 6x4
36	1	1	1.179.100.20	Spring washer
37	1	1	31.99.0124	Sealing ring
38	1	1	1.179.100.04	Motor (tone arm)
39	1	1	1.010.110.37	Tension spring
40	1	1	1.179.125.00	Pulley cord
41	1	1	24.99.0130	Circlip, outside
42	1	1	1.179.100.21	Saddle washer
43	1	1	1.010.019.23	Washer
44	1	1	50.04.2125	LED CQX 47 (IR)
45	2	2	21.26.0353	Screw M3x5
	2	2	24.16.1030	Lock washer
46	1	1	1.179.125.06	Cable-through
47	1	1	1.179.118.12	Support PCB
	1	1	1.179.119.11	Detector PCB