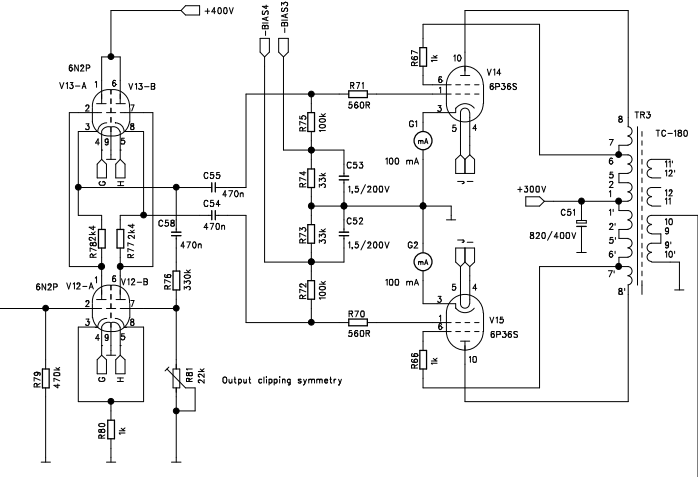
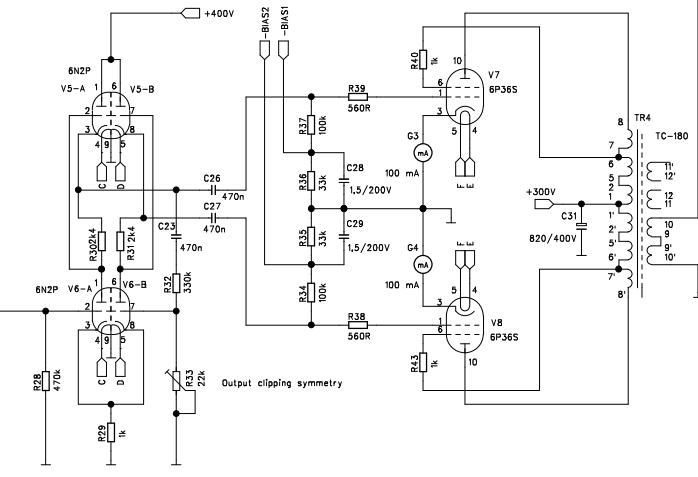


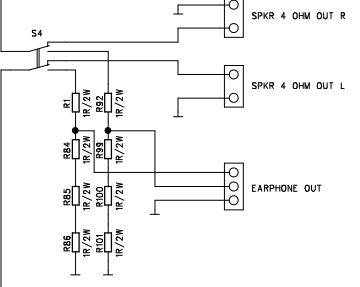
Pre-amplifier with expander



G1, G2: set 40 mA DC current (shortcut input, after 1h of working)
Adjust by R97 & R98
Instead of G1, G2 can be used 1R/1W resistors, set 40 mV voltage drop.



G3, G4: set 40 mA DC current (shortcut input, after 1h of working)
Adjust by R95 & R96
Instead of G3, G4 can be used 1R/1W resistors, set 40 mV voltage drop.



REF. TO	PCB	TUBE AMPLIFIER		PAGE
		SCALE	DATE	1/1
TITLE		1:03.2007_EK		
TYPE	CIRCUIT DIAGRAM	DWG. NO.	REV.	DATE
				DRBY
				APPR