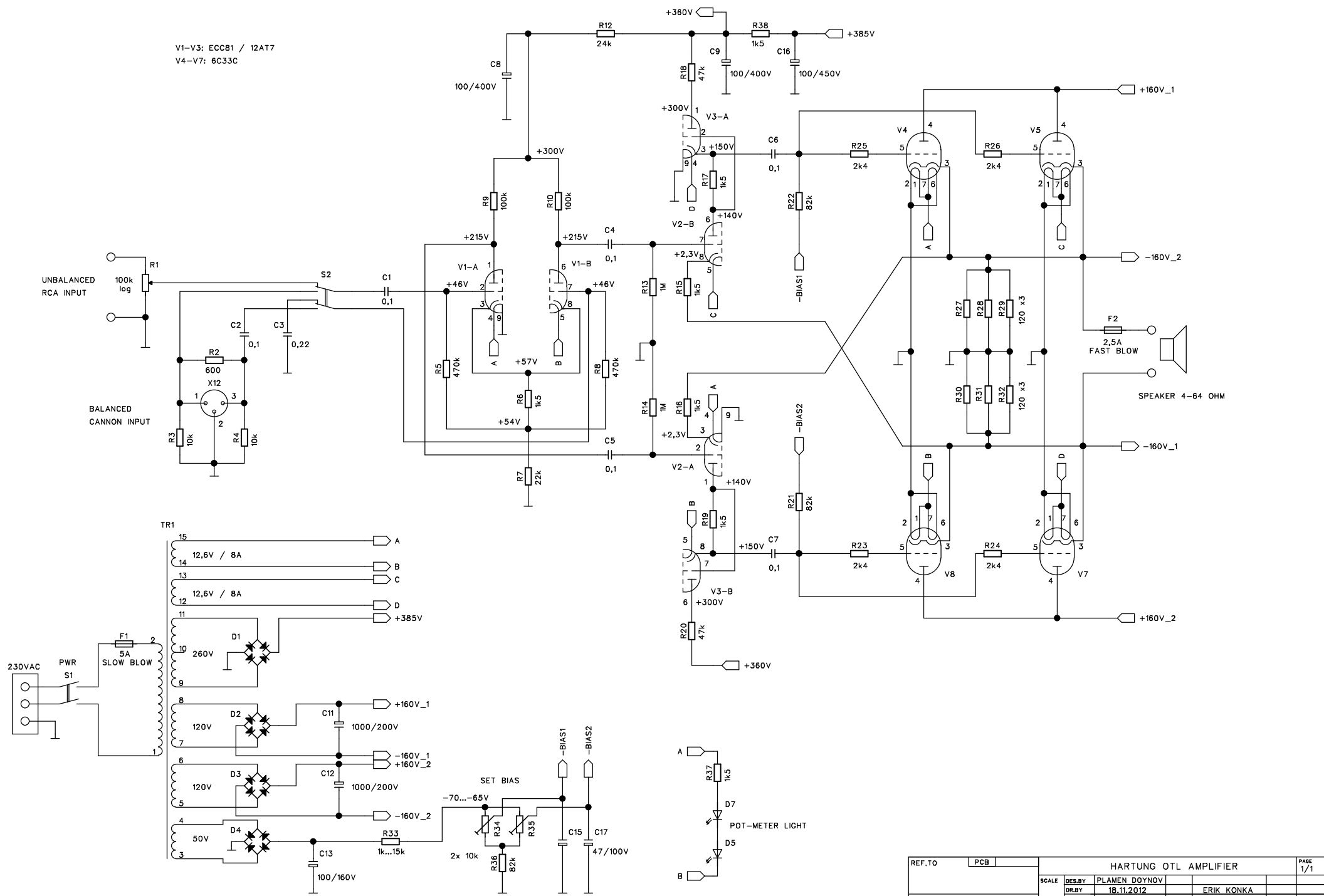


V1-V3: ECC81 / 12AT7
 V4-V7: 6C33C



REF. TO	PCB	HARTUNG OTL AMPLIFIER				PAGE	1/1
SCALE	DES. BY	PLAMEN DOYNOV					
TITLE	DR. BY	18.11.2012	ERIK KONKA				
	CHECK						
	APPR						
TYPE	CIRCUIT DIAGRAM	DWG NR.		REV.	DATE	DR. BY	APPR